



Spare parts list

(16361040) K 3.96 M *CA

(16361050) K 3.96 M

(16361070) K 3.96M-PLUS *MX

CONTENT LIST

1.0 Housing

2.0 Pump set

2.1 Housing

2.2 Thrust guidance

3.0 Motor

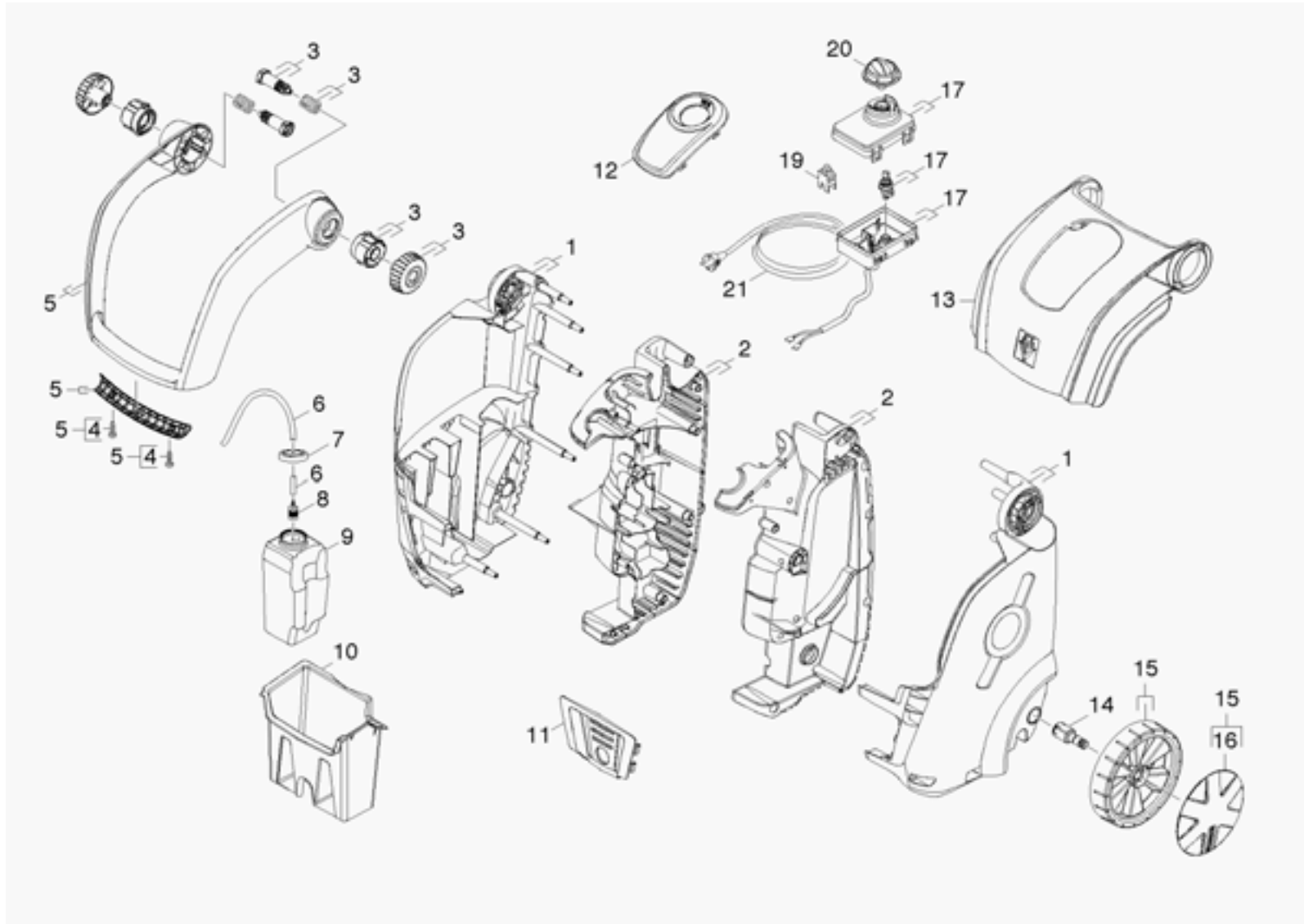
4.0 Accessories

4.1 Hand trigger gun

4.2 Jet pipe

5.0 Electric box

1.0 Housing



1.0 Housing

POS	DESCRIPTION ADDITIONAL INFORMATIONS	PART NO	QTY.	FROM SER.NR.	UP TO SER. NR.
1	Housing complete	90013420	1		
2	Housing complete	90013430	1		
3	Turning knob complete	90013410	2		
4	Screw Hi-Lo d.4x22 Torx-d.7,5	90861730	2		
5	Handhold complete	90013440	1		
6	Hose DN 5	63882160	1		
	TO ORDER AS CUT GOODS				
7	VALVE	64120570	1		
8	Filter with weight	57316090	1		
9	Tank	90371050	1		
10	Tank holder	90370920	1		
11	Covering cap	90013470	1		
12	Switch faceplate K3	90371740	1		
13	Cover complete	90013450	1		
14	Axle	90371030	2		
15	Spare parts set wheel	28848600	1		
16	Spare parts set wheel cab	28848610	1		
17	Electric box complete	90013490	1		
19	SWITCH	90850340	1		
20	Handle	90370110	1		
21	Cable with plug 1.636-105.0	90841910	1		
21	Cable with plug 1.636-107.0	90841940	1		
21	Cable with plug 3X16 AWG *CA x OPEN ME 1.636-104.0	90841970	1		

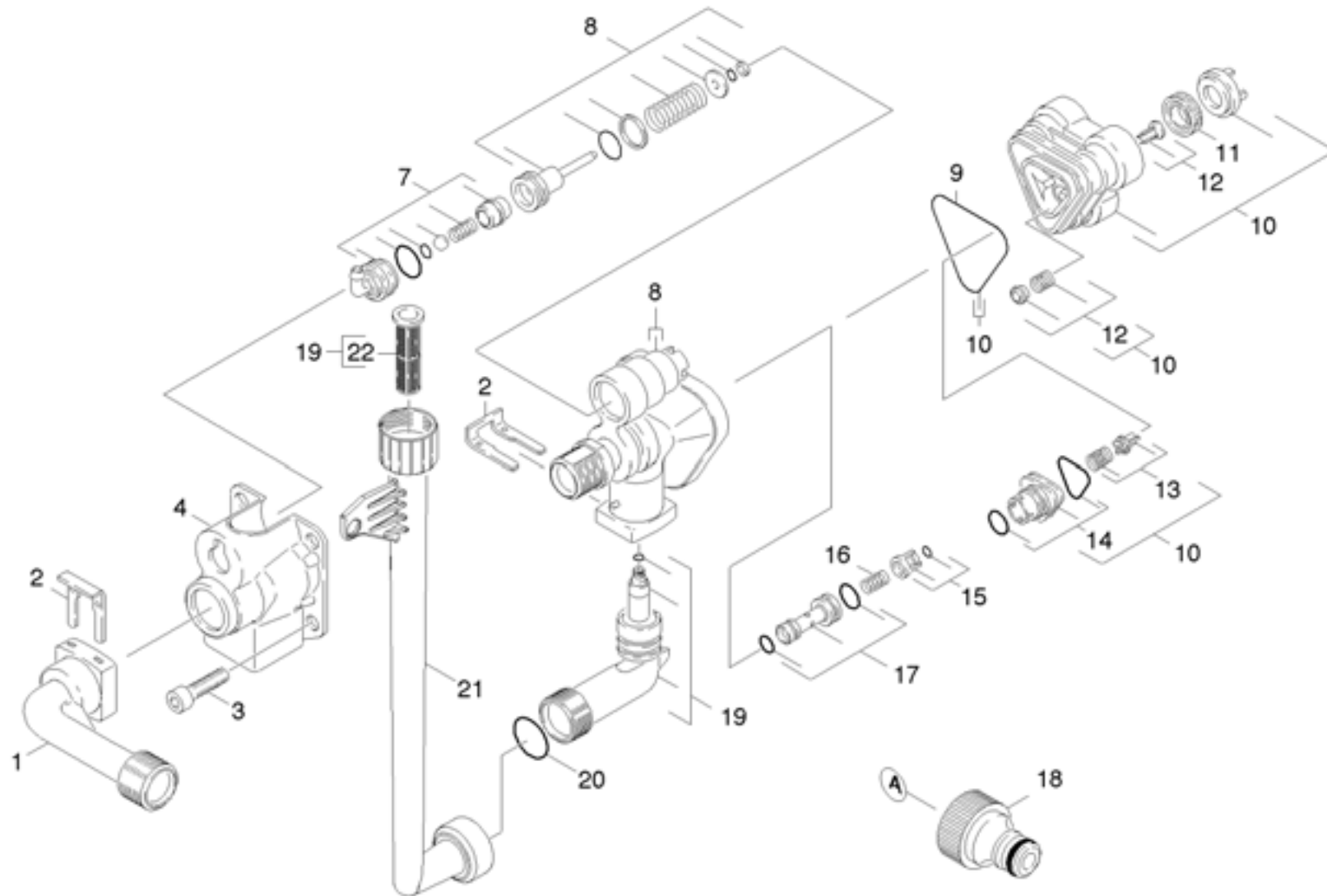
2.0 Pump set

2.1 Housing

2.2 Thrust guidance



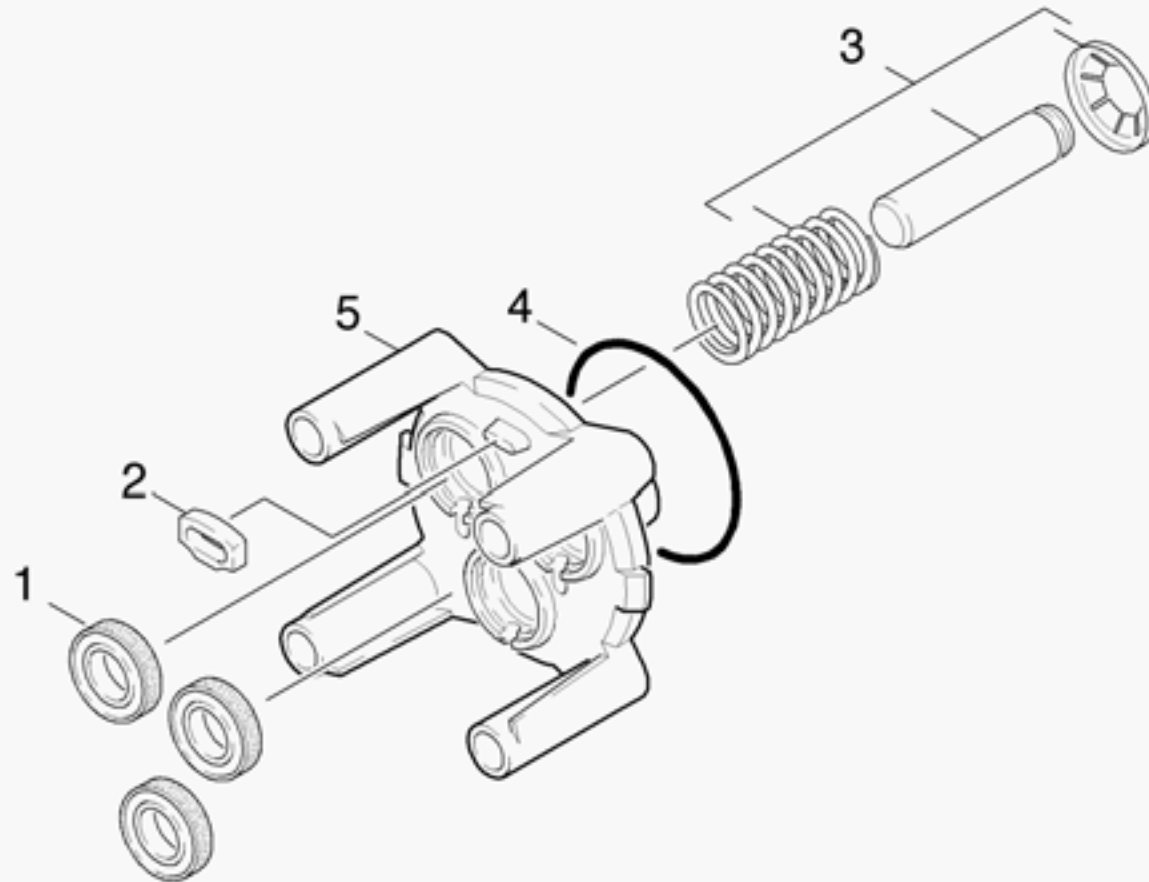
2.1 Housing



2.1 Housing

POS	DESCRIPTION ADDITIONAL INFORMATIONS	PART NO	QTY.	FROM SER.NR.	UP TO SER. NR.
1	Outlet fitting upright	90367030	1		
2	Metal fork	90391480	2		
3	Screw M 8x55 Class 8.8	90862000	4		
4	Cover	90391660	1		
7	Detergent fitting assembly	90112850	1		
8	Spare parts set control head	90012670	1		
9	Form seal	90814220	1		
10	Spare parts set cylinder head	90012150	1		
11	Water sealing d.12x20x5	63628750	3		
12	Moulded part complete SET CONSISTS OF 3X MACHINED PART COMPL.	90011100	1		
13	VENTILSET SET CONSISTS OF 3X MACHINED PART COMPL.	90011490	1		
14	JOINING PIECE	90011060	1		
15	CAGE	90011070	1		
16	Spring	90470260	1		
17	INJECTOR	90011080	1		
18	Connection 3/4" 1.636-107.0	63898700	1		
19	ET-SET	90012660	1		
20	O-Ring d.17,86x2,62	90814200	1		
21	Tube water intake 1.636-104.0 /-105.0	90121820	1		
21	Tube water intake 1.636-107.0	90370930	1		
22	Fine filter	57315980	1		

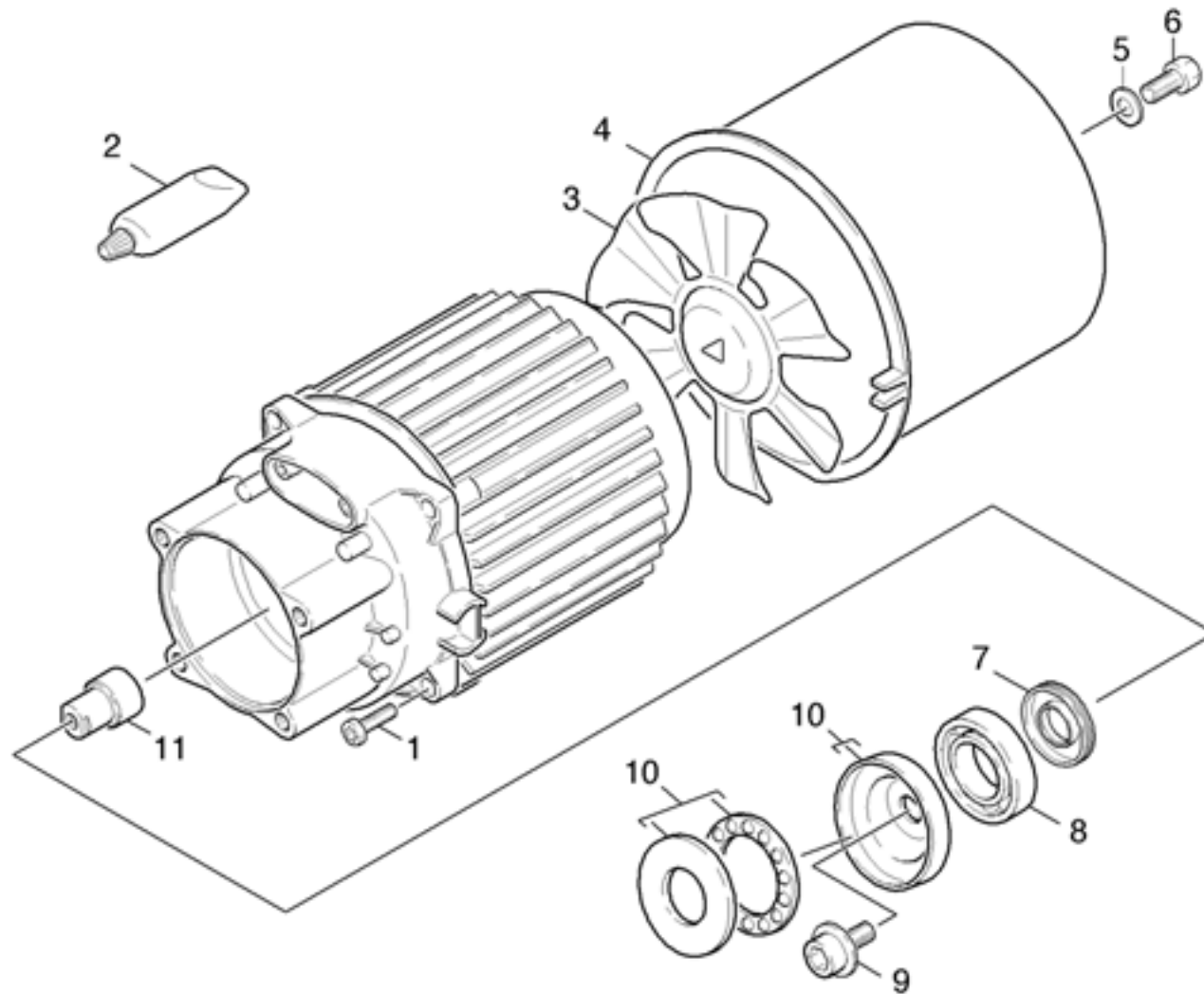
2.2 Thrust guidance



2.2 Thrust guidance

POS	DESCRIPTION ADDITIONAL INFORMATIONS	PART NO	QTY.	FROM SER.NR.	UP TO SER. NR.
1	SEAL	69640260	3		
2	Spacer - Seal	90480710	1		
3	Piston completely SET CONSISTS OF 3X PISTON COMPL.	90013200	1		
4	O-Ring seal 62x3 NBR 70Shore	90804260	1		
5	Piston guidance	90420350	1		

3.0 Motor



3.0 Motor

POS	DESCRIPTION ADDITIONAL INFORMATIONS	PART NO	QTY.	FROM SER.NR.	UP TO SER. NR.
2	Viscous oil 50ml	69640920	1		
3	Blower wheel	90391880	1		
4	HOUSING	69640900	1		
5	Serrated lock washer A8,4-FSt-A3E DIN67	73122330	1		
6	Hexagonal head screw M8x16-8.8-A2E ISO	73043950	1		
7	ROTARY SHAFT SEAL 1.636-107.0	63670970	1		
7	Rotary shaft seal 17x35x5 1.636-104.0 /-105.0	90780070	1		
8	Ball bearing 6303 -St DIN 625 1.636-104.0 /-105.0	74010100	1		
8	Ball bearing 6204-WAELZLAGST DIN 625 1.636-107.0	74011220	1		
9	Wobble plate screw class II isolation 1.636-107.0	90363880	1		
9	Wobble plate screw M8x16 1.636-104.0 /-105.0	90861690	1		
10	Swash plate 1.636-104.0 /-105.0	90013020	1		
10	Swash plate complete 1.636-107.0	90013880	1		
11	Bush	90363870	1		

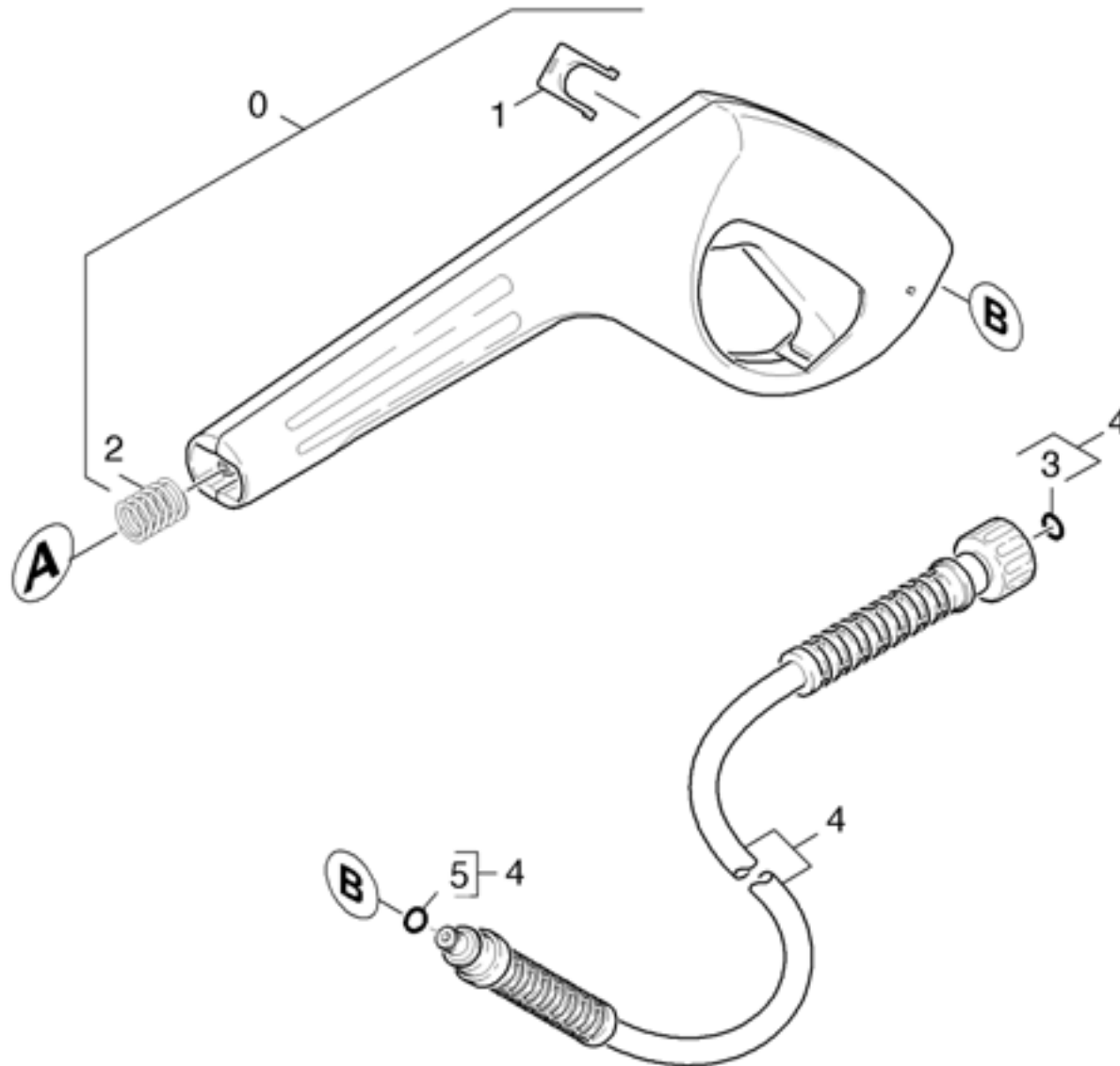
4.0 Accessories

4.1 Hand trigger gun

4.2 Jet pipe



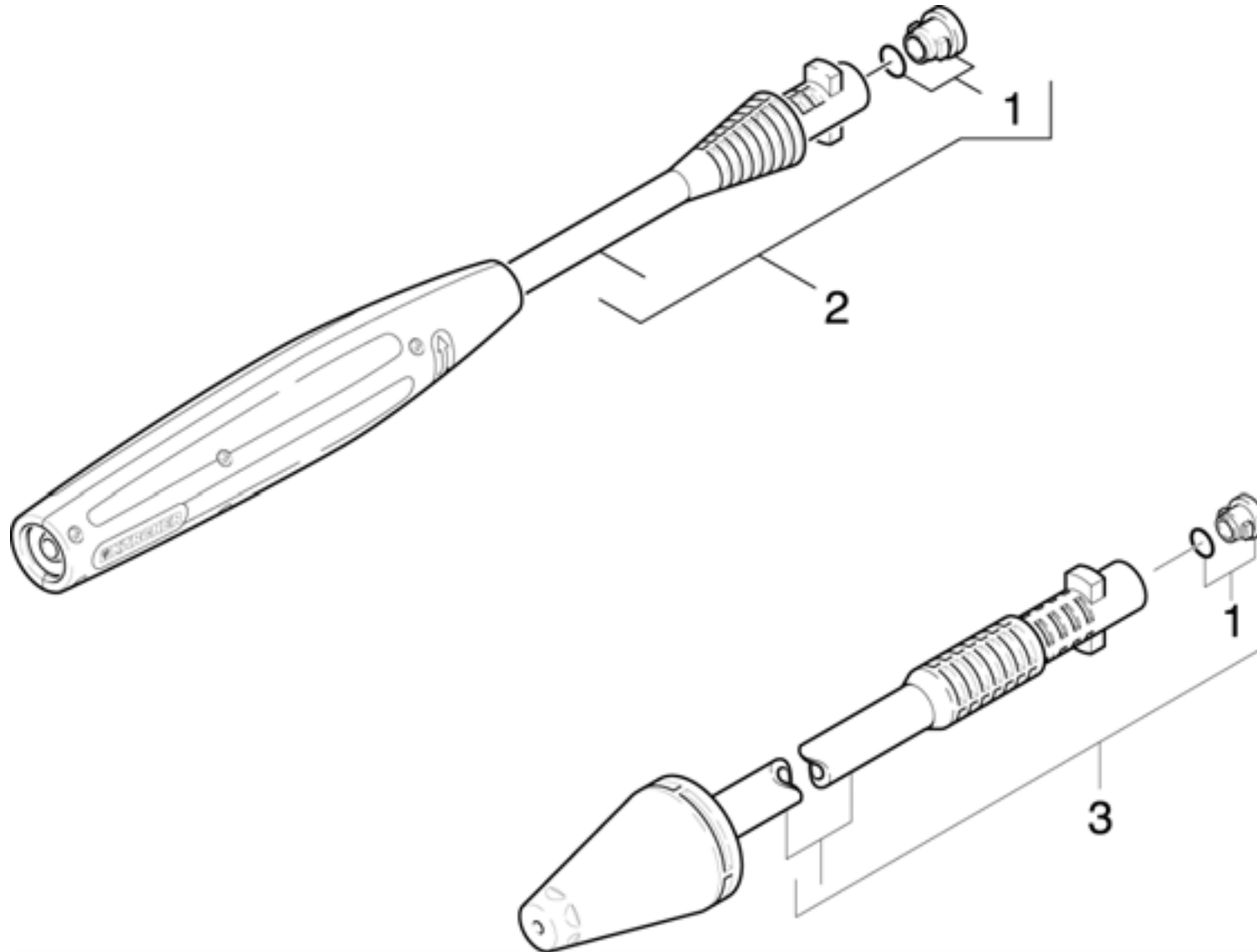
4.1 Hand trigger gun



4.1 Hand trigger gun

POS	DESCRIPTION ADDITIONAL INFORMATIONS	PART NO	QTY.	FROM SER.NR.	UP TO SER. NR.
0	PISTOL	47753890	1		
1	CLAMP	50371370	1		
2	Pressure spring	53324640	1		
3	Spare part set O-Ring seal 5x-Kaercher	28802960	1		
4	High pressure hose 7,5m/13MPa Kär.,40°C,	90820660	1		
5	GASKET 6,75X 1,78	63631000	1		

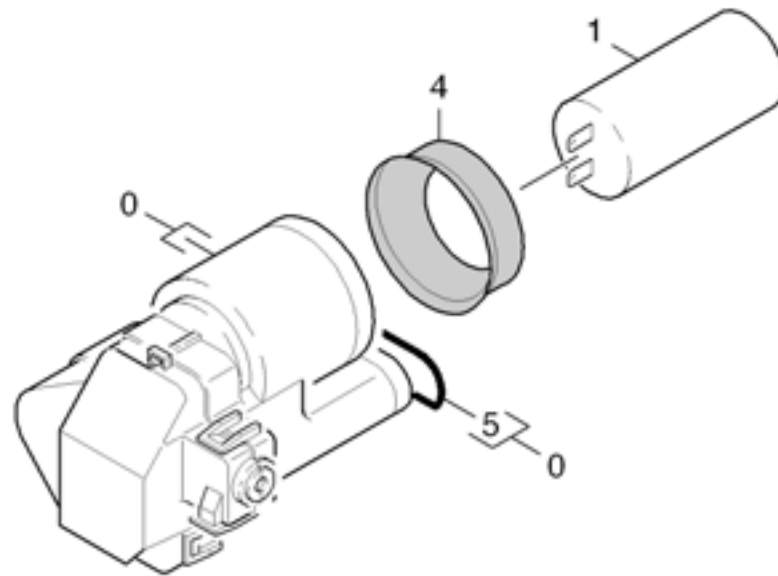
4.2 Jet pipe



4.2 Jet pipe

POS	DESCRIPTION ADDITIONAL INFORMATIONS	PART NO	QTY.	FROM SER.NR.	UP TO SER. NR.
1	O-Ring seal set	26407290	1		
2	VPS K3 0287	47605340	1		
3	ROTARY NOZZLE	47639910	1		

5.0 Electric box



5.0 Electric box

POS	DESCRIPTION ADDITIONAL INFORMATIONS	PART NO	QTY.	FROM SER.NR.	UP TO SER. NR.
0	Electric box	90015720	1		
1	Capacitor 60 μ F	66611960	1		
4	Capacitor Sealing ring d.45, 70 Shore	90804210	1		
5	O-Ring d.20 x 2	90814170	1		